

EN Instructions for use for LED outdoor wall lighting Rondo

Marking: WO-HR60431-LED-OEM

Thank you for purchasing our Rondo adjustable beam width outdoor wall light. The device is suitable for installation on outdoor walls as well as indoors. Please read these instructions carefully and pay attention to the safety warnings and instructions before installing and using the device. This will ensure not only the protection of persons, but also the long-term viability of the equipment. Do not repair or modify the equipment, installation must only be carried out by a qualified technician. The operating temperature of the equipment is between -20°C and 50°C.

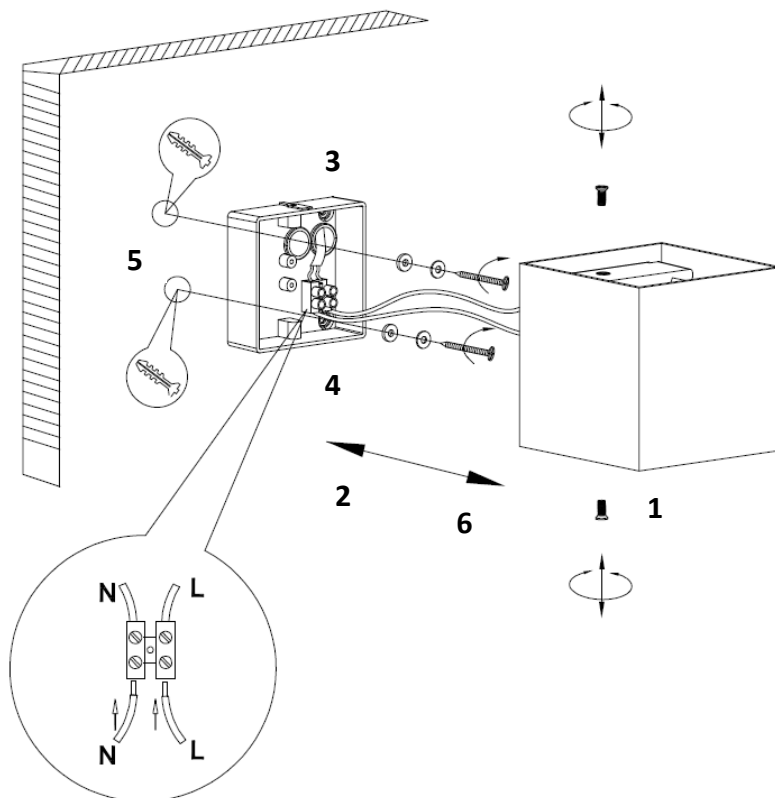
Technical parameters

	WO-HR60431-LED-OEM
Power	220-240V AC
Consumption	6W
Luminous flux	420lm
Chromaticity	3000K
Colour rendering index Ra	>80
Degree of protection	IP 65
Dimensions	100 x 110 x 130 mm

Installation

Disconnect the power supply before installation!

1. Unscrew the two screws on the side of the device.
2. Loosen the bottom cover.
3. Thread the power cable through the rubber hole in the bottom cover. (If the cable cannot be pushed through, make a thin hole in the rubber seal)
4. Connect the supply cable to the terminal block, making sure that the wiring is correct)
5. Insert the dowels into the pre-drilled holes and screw the cover to the selected location.
6. Fit the top of the luminaire to the bottom cover and screw the side screws in place.
7. Adjust the width of the light beam by tilting the plates next to the light source.



Safety warning

- Installation may only be carried out by a qualified worker qualified in accordance with Decree No. 50/1978 Coll., as amended, at least a worker knowledgeable in accordance with § 5 of Decree No. 50/1978 Coll., as amended.
- Do not cover the luminaire with anything or hang anything on it.
- Do not repair or modify the equipment in any way.

The light source of this luminaire is non-replaceable, at the end of its service life the entire luminaire must be replaced and disposed of in a designated place. This product contains a light source that for design reasons cannot be removed for verification and therefore the entire product is considered a light source. The power cord cannot be replaced if damaged, the unit must no longer be used..